



STORAGE SOLUTION

SERVING THE FOOD INDUSTRY SINCE 1951

POLY-TOP WORK TABLES WITHOUT BACKSPLASH



Poly-top work tables with undershelves

Made of stainless steel frame, these poly top tables are perfect for deli shops, sandwich shops, restaurants, and other commercial kitchen. The shelf can be used as a storage for ingredient bins, knives, and other kitchen tools or supplies that is needed while preparing and cooking. Poly cutting boards sold separately.



WARRANTY



*Only applies to items
41278 and 41280*



Authorized Dealer

STORAGE SOLUTION

SOLID POLY TOP FRAME WITH SHELF 24" x 48"



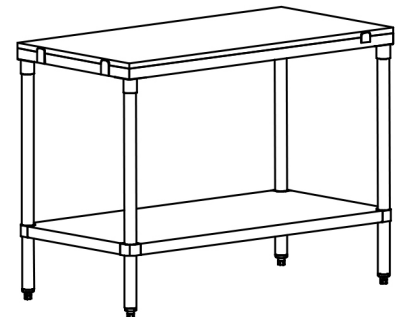
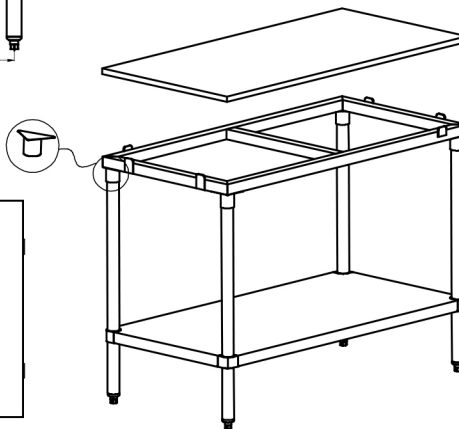
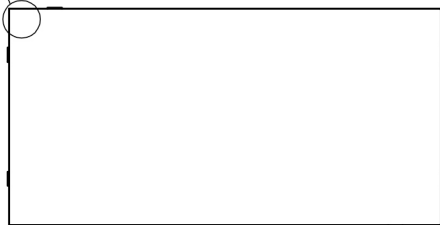
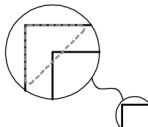
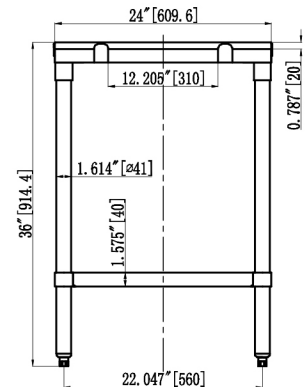
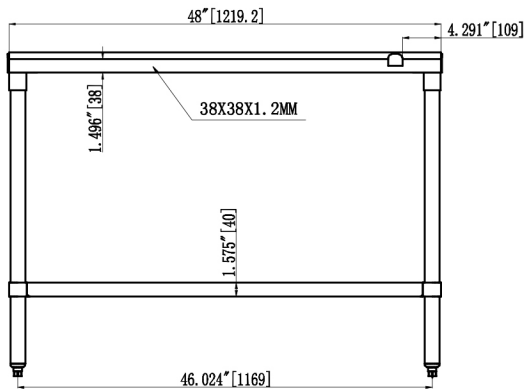
TECHNICAL SPECIFICATION

ITEM	40411
DESCRIPTION	Stainless Steel Solid Poly Top Frame With Shelf 24" x 48"
WEIGHT	42 lbs. / 19 kg.
PACKAGING WEIGHT	46.2 lbs. / 21 kg.
DIMENSIONS (DWH)	24" x 48" x 36" 609.6 x 1219.2 x 914.4 mm
PACKAGING DIMENSIONS	26" x 50" x 9" 660.4 x 1270 x 228.6 mm

OPTIONAL POLY BOARDS *(Items sold separately)*

- ITEM 43185: 24" x 48" x 3/4" Poly Board
- ITEM 43186: 24" x 48" x 1" Poly Board

TECHNICAL DRAWINGS AND DIMENSIONS



OMCAN INC.

Telephone: 1-800-465-0234
 Fax: (905) 607-0234
 Email: sales@omcan.com
 Website: www.omcan.com



Follow us to keep up to date with the latest news and offers



STORAGE SOLUTION

SOLID POLY TOP FRAME WITH SHELF 30" x 36"



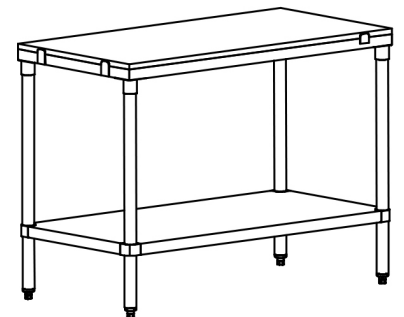
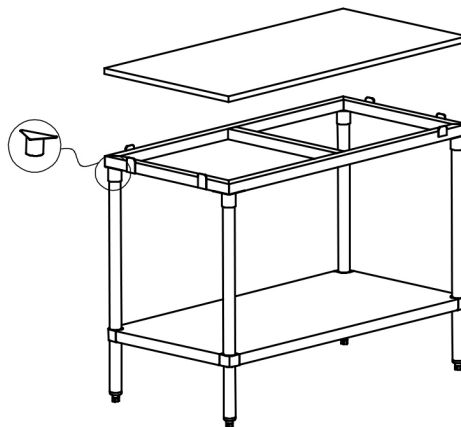
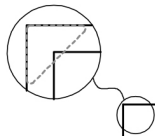
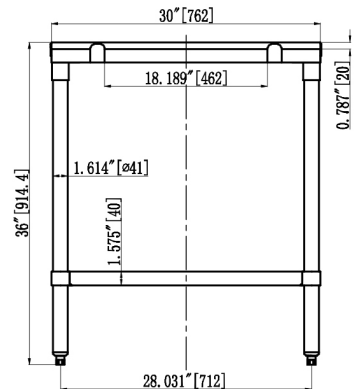
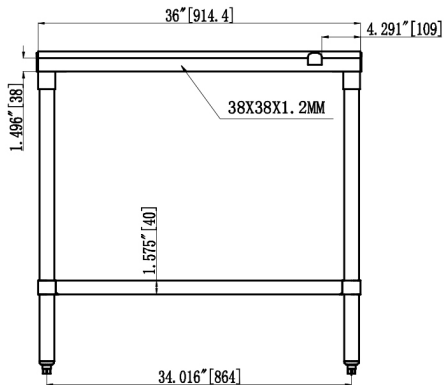
TECHNICAL SPECIFICATION

ITEM	41274
DESCRIPTION	Stainless Steel Solid Poly Top Frame With Shelf 30" x 36"
WEIGHT	40.7 lbs. / 18.5 kg.
PACKAGING WEIGHT	45.1 lbs. / 20.5 kg.
DIMENSIONS (DWH)	30" x 36" x 36" 762 x 914.4 x 914.4 mm
PACKAGING DIMENSIONS	32" x 38" x 9" 812.8 x 965.2 x 228.6 mm

OPTIONAL POLY BOARDS *(Items sold separately)*

- ITEM 43187: 30" x 36" x 3/4" Poly Board
- ITEM 43188: 30" x 36" x 1" Poly Board

TECHNICAL DRAWINGS AND DIMENSIONS



OMCAN INC.

Telephone: 1-800-465-0234
 Fax: (905) 607-0234
 Email: sales@omcan.com
 Website: www.omcan.com



Follow us to keep up to date with the latest news and offers



STORAGE SOLUTION

SOLID POLY TOP FRAME WITH SHELF 30" x 48"



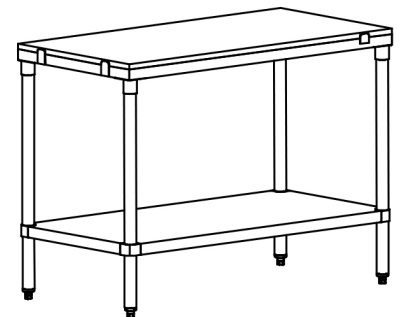
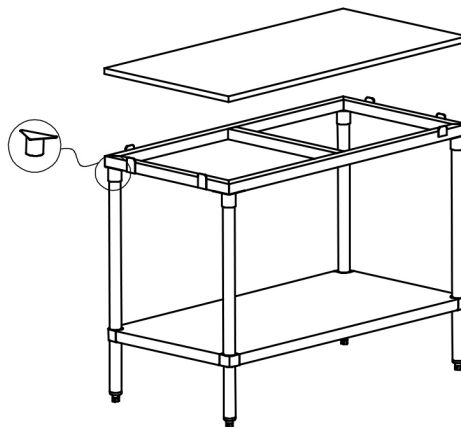
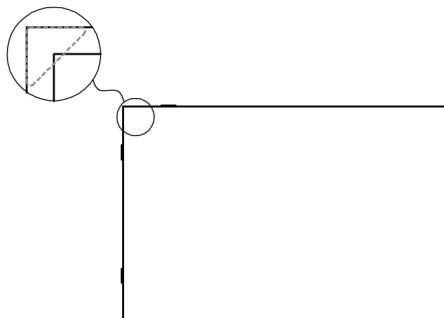
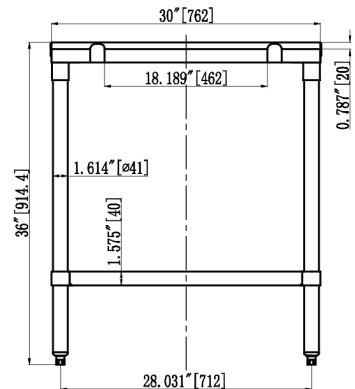
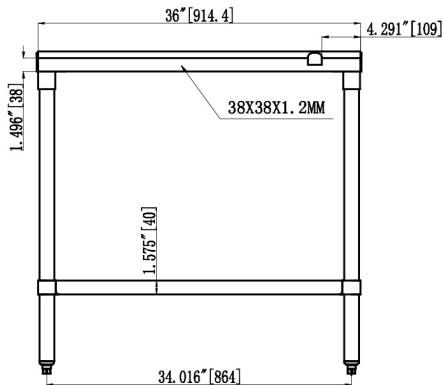
TECHNICAL SPECIFICATION

ITEM	41276
DESCRIPTION	Stainless Steel Solid Poly Top Frame With Shelf 30" x 48"
WEIGHT	47.3 lbs. / 21.4 kg.
PACKAGING WEIGHT	51.7 lbs. / 23.4 kg.
DIMENSIONS (DWH)	30" x 48" x 36" 762 x 1219.2 x 914.4 mm
PACKAGING DIMENSIONS	32" x 50" x 9" 812.8 x 1270 x 228.6 mm

OPTIONAL POLY BOARDS *(Items sold separately)*

- ITEM 43189: 30" x 48" x 3/4" Poly Board
- ITEM 43190: 30" x 48" x 1" Poly Board

TECHNICAL DRAWINGS AND DIMENSIONS



OMCAN INC.

Telephone: 1-800-465-0234
 Fax: (905) 607-0234
 Email: sales@omcan.com
 Website: www.omcan.com



Follow us to keep up to date with the latest news and offers



STORAGE SOLUTION

SOLID POLY TOP FRAME WITH SHELF 30" x 60"



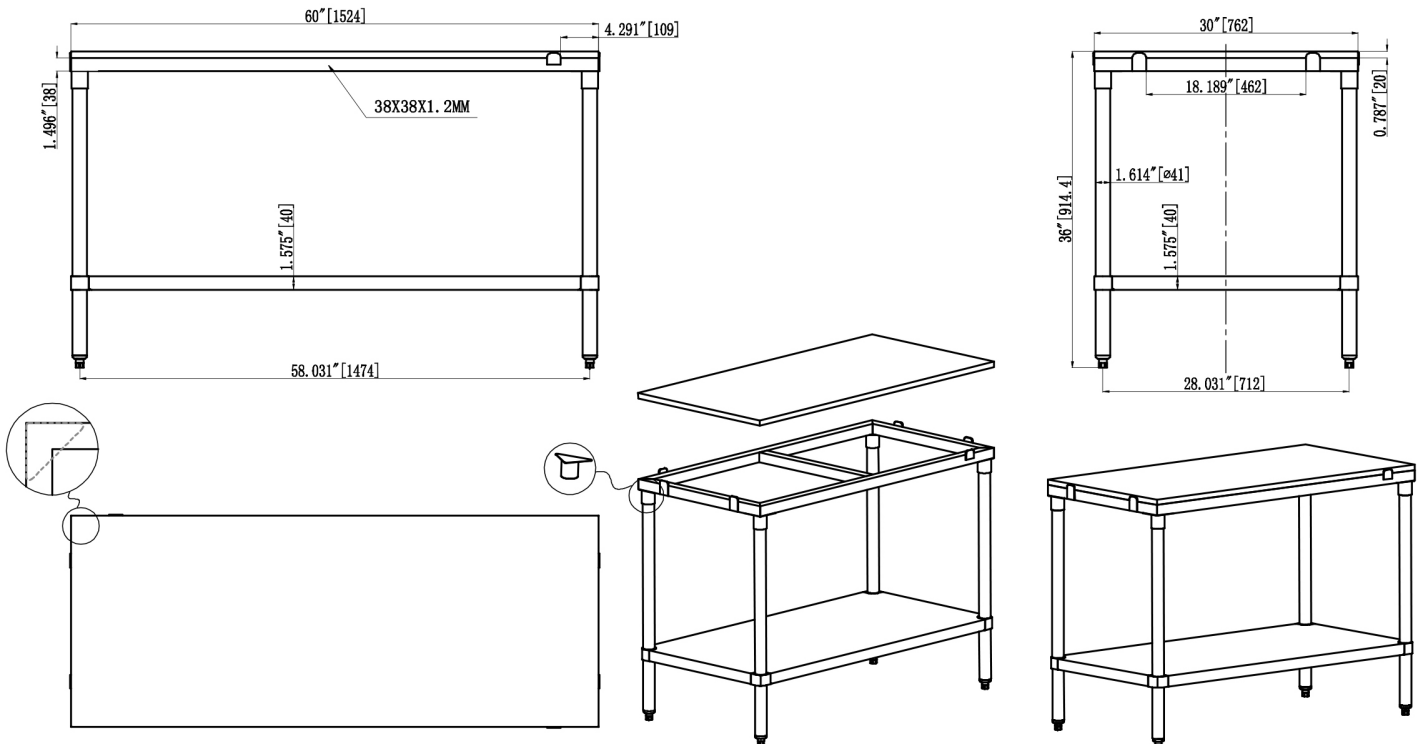
TECHNICAL SPECIFICATION

ITEM	41278
DESCRIPTION	Stainless Steel Solid Poly Top Frame With Shelf 30" x 60"
WEIGHT	54 lbs. / 24.4 kg.
PACKAGING WEIGHT	58.3 lbs. / 26.4 kg.
DIMENSIONS (DWH)	30" x 60" x 36" 762 x 1524 x 914.4 mm
PACKAGING DIMENSIONS	32" x 62" x 9" 812.8 x 1574.8 x 228.6

OPTIONAL POLY BOARDS *(Items sold separately)*

- ITEM 43191: 30" x 60" x 3/4" Poly Board
- ITEM 43192: 30" x 60" x 1" Poly Board

TECHNICAL DRAWINGS AND DIMENSIONS



OMCAN INC.

Telephone: 1-800-465-0234
 Fax: (905) 607-0234
 Email: sales@omcan.com
 Website: www.omcan.com



Follow us to keep up to date with the latest news and offers



STORAGE SOLUTION

SOLID POLY TOP FRAME WITH SHELF 30" x 72"



TECHNICAL SPECIFICATION

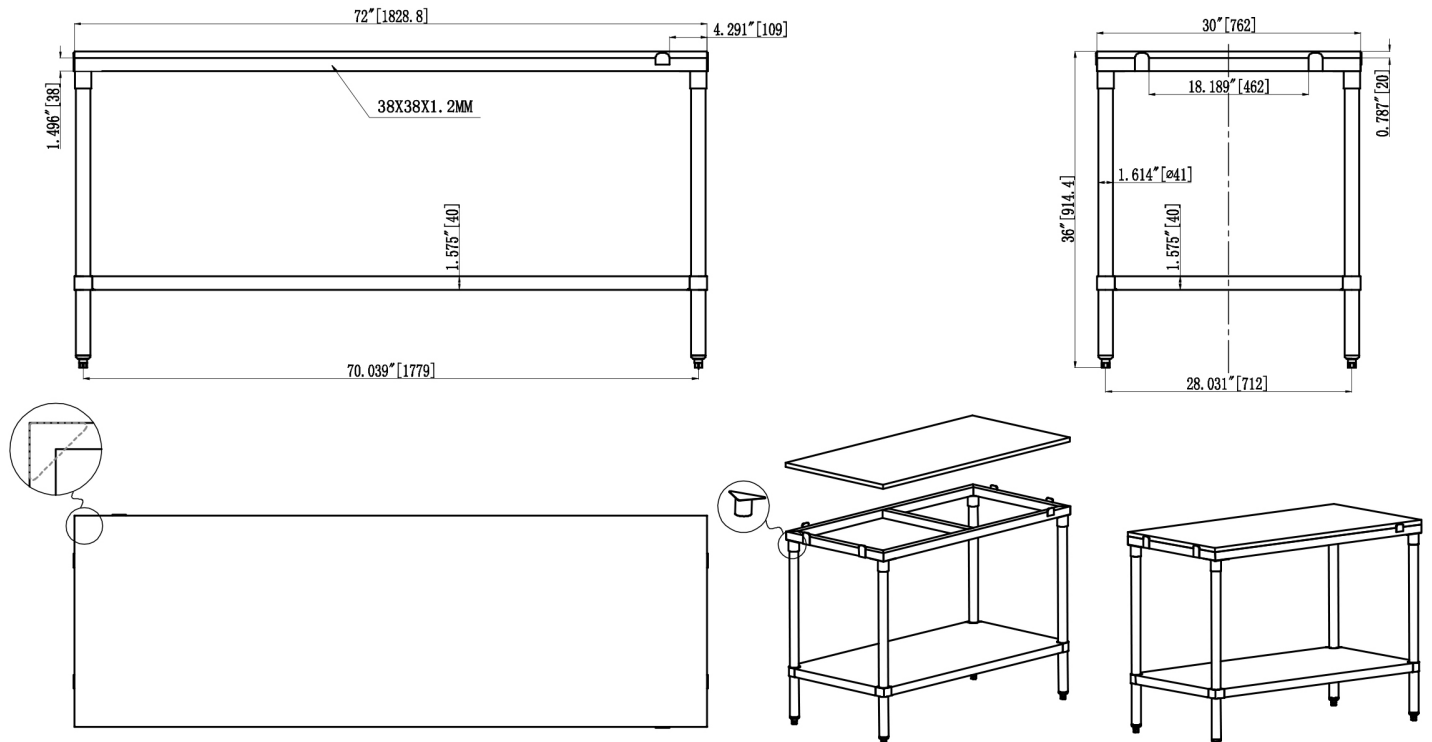
ITEM	41280
DESCRIPTION	Stainless Steel Solid Poly Top Frame With Shelf 30" x 72"
WEIGHT	60.5 lbs. / 27.4 kg.
PACKAGING WEIGHT	68.2 lbs. / 30.9 kg.
DIMENSIONS (DWH)	30" x 72" x 36" 762 x 1828.8 x 914.4 mm
PACKAGING DIMENSIONS	32" x 74" x 9" 812.8 x 1879.6 x 228.6 mm

OPTIONAL POLY BOARDS *(Items sold separately)*

- ITEM 43193: 30" x 72" x 3/4" Poly Board
- ITEM 43194: 30" x 72" x 1" Poly Board



TECHNICAL DRAWINGS AND DIMENSIONS



OMCAN INC.

Telephone: 1-800-465-0234
 Fax: (905) 607-0234
 Email: sales@omcan.com
 Website: www.omcan.com



Follow us to keep up to date with the latest news and offers

